

# Thermometer with Bimetal coil Industry version

Nominal size ND 63, 80, 100 and 160  
Accuracy class 1,0

according to DIN 16 203 and 16 204

### Features

Short response time  
Wide selection of standard versions  
High grade version

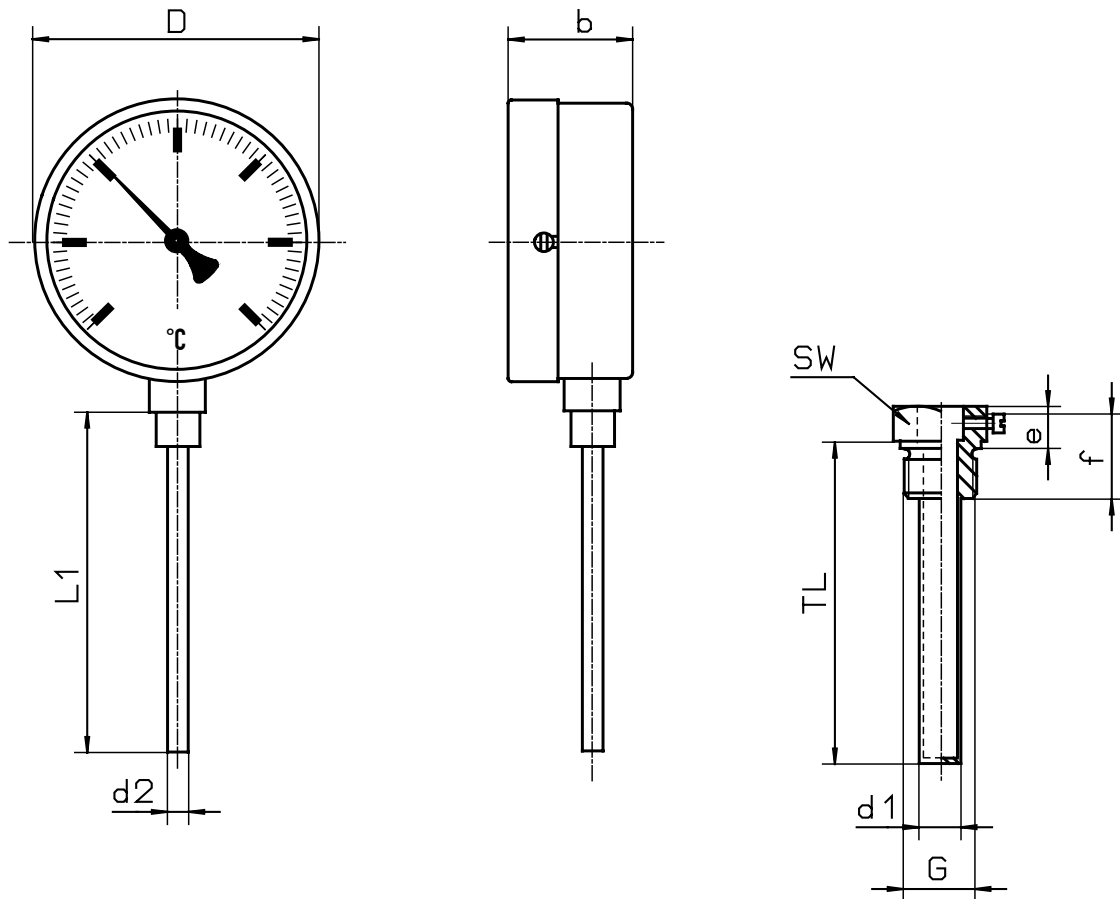
### Applications

Mechanical engineering and apparatus manufacture,  
Container and pipe construction  
Building service and a wide range of applications in industry



Model and ND	TB-20 63	TB-20 80	TB-20 100	TB-20 160
Connection	bottom			
Ranges	-30...+50°C, -20...+60°C, -10...+50°C 0...60°C, 0...80°C, 0...100°C, 0...120°C, 0...160°C, 0...200°C, 0...250°C, 0...300°C 0...400°C, 0...500°C, other on request			
Application	full scale value			
Case	CrNi steel			
Bezel	CrNi steel , rim ring,			
Window	Glass lens			
Dial	Aluminium white ,scale black			
Pointer	Aluminium, black			
Measuring element	Bimetal coil			
Display correction	Adjusting pointer or at end of shaft			
Shaft	CrNi steel , 8 mm			
Connection	Standard: plain with flange for thermowell Extra equipment : lock at data sheet T 190			
Stem length	45, 63, 100, 150, 200, 250 mm, other length on request			
Protection	IP 43 to EN 60529 / IEC 529			
Weight	0,2 kg	0,3 kg	0,4 kg	0,8 kg

## Dimensions



Dimensions in mm									
Typ	NG	D	b	d1	d2	e	f	sw	G
TB-20	63	63	45	10	8	15	27	21	G 1/2 B
TB-20	80	80	45	10	8	15	27	21	G 1/2 B
TB-20	100	100	50	10	8	15	27	21	G 1/2 B
TB-20	160	160	50	10	8	15	27	21	G 1/2 B

### Modelspecification

Model	Connection	Nominal size	Range	Length	Connection type
TB-2	0	f.e. 100	f.e. 120	f.e. 100	f.e. F 2
	Connection bottom = 0	Case ND 63 = 63 Case ND 80 = 80 Case ND 100 = 100 Case ND 160 = 160	after Range specification or direct 120 °	sensor length in mm	after data sheet T 190