

Type 350/360SS Series

Stainless Steel Regulators

Type 350SS Stainless Steel Filter Regulator

Type 360SS Stainless Steel Regulator



Type 350/360SS Series

Clean, stable performance for tough, dirty pro

The Type 350/360SS series of stainless steel regulators and filter regulators are designed to stand up to the harshest environments while providing highly accurate pressure regulation. Proven 316 stainless steel housing and filter assemblies along with fluorocarbon diaphragm construction make the 350/360SS compatible with sour gas and adaptable to off shore environments. This quality instrument is economical to buy as well as operate, and provides extremely stable and repeatable control of gas pressure. Oversized valving helps the unit achieve high flow rates with minimal pressure drop.

Features

- All 316 Stainless Steel Construction**
 Ideal for sour gas and/or corrosive environments
- NACE Compliant**
 Meets NACE #MR-0175 material requirement for sulfide stress cracking
- 1/4" NPT and 1/2" NPT Ported Versions**
- High Flow Capacity**
- Tapped Exhaust Port**
 Permits remote venting of hazardous gasses
- Minimal Air Consumption**
 Low cost of ownership

A P P L I C A T I O N S

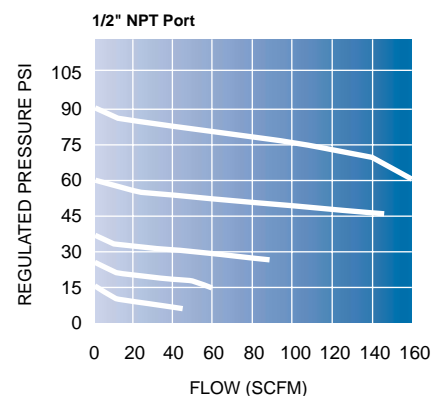
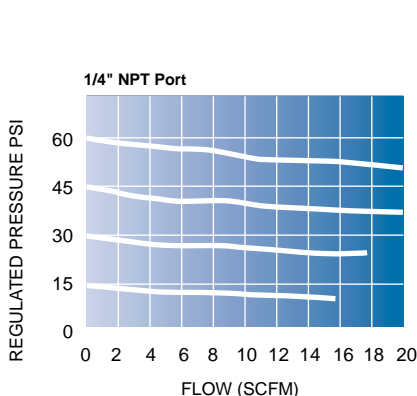
The Type 350/360SS is used extensively by OEMs and end users to supply clean air to pneumatic controllers, transmitters, transducers, valve positioners, air cylinders, and a wide range of pneumatic control systems.

Applications include:

- Petrochemical processing, both on and offshore
- Food, pulp and paper, and pharmaceutical processing
- Pollution control
- Waste water treatment

S P E C I F I C A T I O N S

	TYPE 350SS	TYPE 360SS
Output Ranges:	0-30 psig (0-2.0 BAR), 0-60 psig (0-4.0 BAR), 0-100psig (0-7.0 BAR), 0-150 psig (0-10.0 BAR)	
Exhaust Capacity:	1.0 SCFM (1.7 m3/hr) at downstream pressure of 10 psig (0.7 BAR) above set point	
Maximum Supply Pressure:	290 psig (20.0 BAR)	
Air Consumption:	4 SCFH (0.1 m3/hr)	
Operating Temperatures:	-20° to +185° F (-29° C to +85° C)	
Filter:	40 micron optional 5 micron filter	Not applicable
Porting:	Inlet/Outlet: 1/4" NPT or 1/2" NPT Gauge (2): 1/4" NPT Exhaust: 1/8" NPT	1/4" NPT 1/4" NPT 1/8" NPT
Materials:	316 stainless steel: body, bonnet, filter, adjust spring Fluorocarbon: diaphragm, seals Inconel: valve spring	
Weight:	1/4" NPT: 2.2 lbs. (1.0 kg) 1/2" NPT: 2.8 lbs. (1.3 kg)	1/4" NPT: 2.0 lbs. (0.9 kg) Not applicable



Process control



Low air consumption for greater operating economy

Competitively priced

Tapped exhaust for remote venting

316 stainless steel housing and filter assemblies

1/4" NPT and 1/2" NPT porting

Compact size

Large flow paths to minimize pressure drop

Low droop at high flow levels

Meets all NACE requirements

Excellent stability and repeatability, even in harsh environments

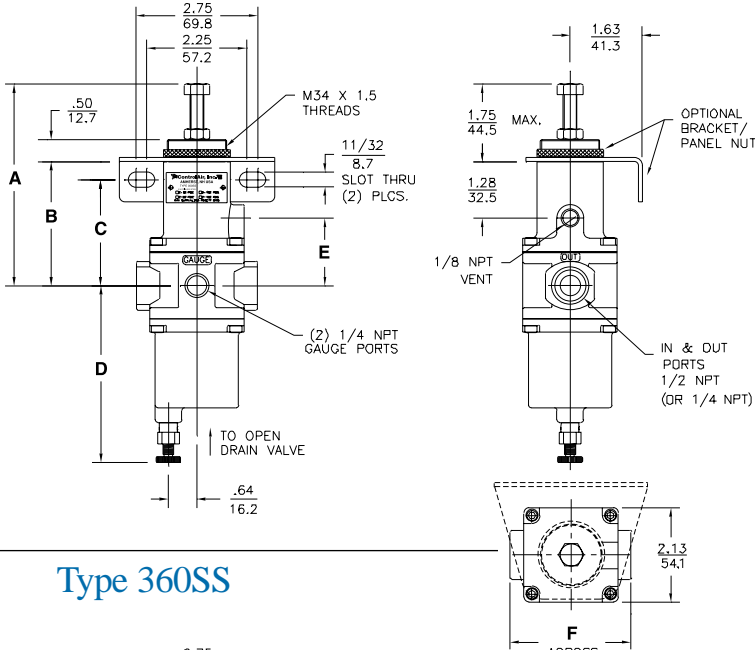
High flow manual drain for easy maintenance

Type 350/360SS Dimensions Series

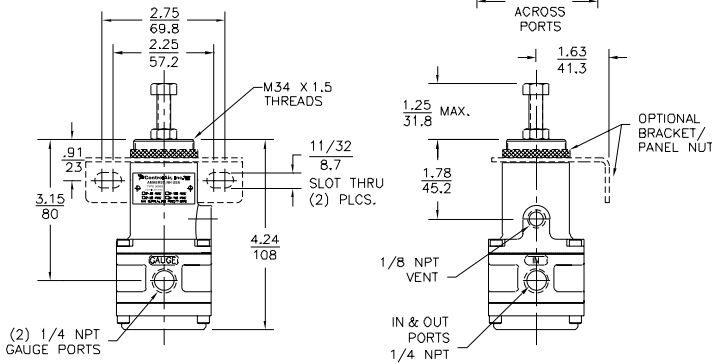
Type 350/360SS Ordering Information Series

Port Size (NPT)	A		B		C		D		E		F	
	Inch	mm	Inch	mm	Inch	mm	Inch	mm	Inch	mm	Inch	mm
1/4"	4.40	111.8	2.65	67.3	2.24	56.9	3.71	94.2	1.38	35.1	2.13	54.1
1/2"	4.54	115.3	2.79	70.9	2.39	60.7	3.98	101.1	1.52	38.6	2.72	69.1

Type 350SS

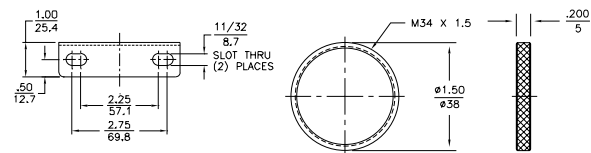


Type 360SS

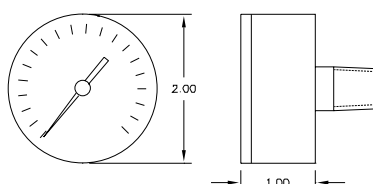


Mounting Bracket

Panel Nut



Pressure Gauge



TYPE 350SS FILTER REGULATOR

Model	Part Number	Port Size (NPT)	Output Range (psi)	Output Range (BAR)
350SS	350-BA	1/4"	0 - 30.0	0 - 2.0
350SS	350-BB	1/4"	0 - 60.0	0 - 4.0
350SS	350-BC	1/4"	0 - 100.0	0 - 7.0
350SS	350-BD	1/4"	0 - 150.0	0 - 10.0
350SS	350-DA	1/2"	0 - 30.0	0 - 2.0
350SS	350-DB	1/2"	0 - 60.0	0 - 4.0
350SS	350-DC	1/2"	0 - 100.0	0 - 7.0
350SS	350-DD	1/2"	0 - 150.0	0 - 10.0

TYPE 360SS REGULATOR

Model	Part Number	Port Size (NPT)	Output Range (psi)	Output Range (BAR)
360SS	360-BA	1/4"	0 - 30.0	0 - 2.0
360SS	360-BB	1/4"	0 - 60.0	0 - 4.0
360SS	360-BC	1/4"	0 - 100.0	0 - 7.0
360SS	360-BD	1/4"	0 - 150.0	0 - 10.0

Options

Add proper letter at end of model number.

- G** - Pressure Gauge
2" face; centerback connection; stainless steel case
- B** - Mounting Bracket Kit
Consists of stainless steel mounting bracket and panel nut
- N** - Nonrelieving
For constant flow or downstream pressure relief applications
- F** - 5 Micron Filter
Standard 25 micron filter is replaced with 5 micron filter for more complete air filtration
- P** - Panel Mount Nut
Required if unit is to be panel mounted

Warranty

ControlAir, Inc. products are warranted to be free from defects in materials and workmanship for a period of eighteen months from the date of sale, provided said products are used according to ControlAir, Inc. recommended usages. ControlAir, Inc.'s liability is limited to the repair, purchase price refund, or replacement in kind, at ControlAir, Inc.'s sole option, of any products proved defective. ControlAir, Inc. reserves the right to discontinue manufacture of any products or change products materials, designs or specifications without notice.

Drawing downloads available at www.controlair.com



8 Columbia Drive / Amherst, NH 03031 USA
 Website: www.controlair.com
 Email: sales@controlair.com
 603-886-9400 FAX 603-889-1844

